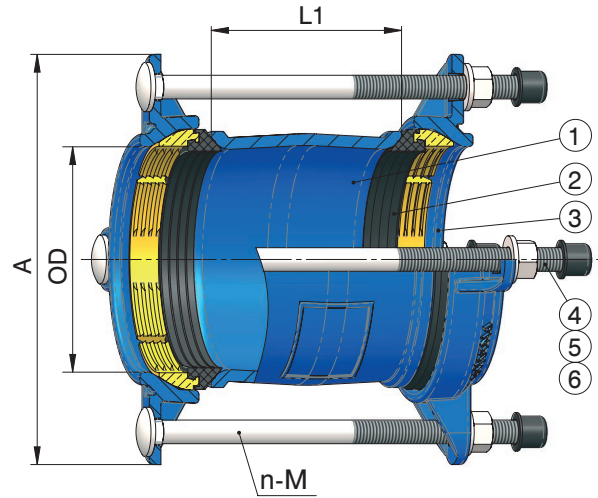


Restrained Coupling for PE/PVC Pipe

MODEL: C-PE-H

Features

- Designed for PE/PVC pipes
- Nominal pressure designation: PN16
- Fusion bonded, epoxy coated RAL5005/RAL5017
- Angular deflection +/- 3°.



Material Specifications

Item	Part Name	Material	Specification
1	Body	Ductile Iron	EN-JS-1050(EN-GJS-500-7) EN 1563
2	Sealing Ring	Rubber+Brass	NBR/EPDM+Brass
3	End Ring	Ductile Iron	EN-JS-1050(EN-GJS-500-7) EN 1563
4	Bolt	Zinc-plated steel	
5	Washer	Zinc-plated steel	
6	Nuts	Zinc-plated steel	

Dimensions

Size	Pipe OD	A	M × L	Bolts Qty
DN50	55	140	M12 × 90	2
DN63	67	150	M12 × 90	2
DN75	80	150	M12 × 90	2
DN90	95	180	M12 × 90	4
DN110	115	200	M12 × 90	4
DN125	130	240	M12 × 90	4
DN160	165	270	M12 × 90	4
DN200	205	325	M12 × 110	4
DN225	230	325	M12 × 110	4
DN250	255	380	M12 × 110	6
DN280	285	380	M12 × 110	6
DN315	320	420	M12 × 170	6