

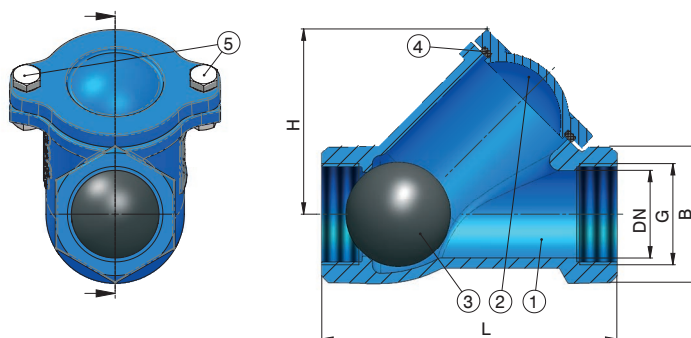
Ball Check Valves

MODEL: CHV-BL-H

Material Specifications

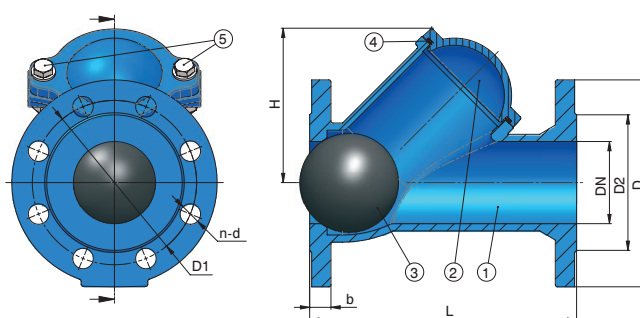
| Item | Part Name | Material | Grade | Item | Part Name | Material | Grade |
|------|-----------|--------------|---|------|------------------|-----------------|-------------------------------------|
| 1 | Body | DI | EN-JS 1050 (EN-GJS-500-7) EN 1563 | 4 | Bonnet Gasket | Rubber | NBR/EPDM EN 681-1 |
| 2 | Bonnet | DI | EN-JS 1050 (EN-GJS-500-7) EN 1563 | 5 | Bolts | Stainless Steel | 1.4301 (X5CrNi18-10) EN10088-3-3 |
| 3 | Ball | Steel+Rubber | Steel + EPDM EN 681-1 Steel + NBR EN 681-1 | | | | |

Check Valve/BSP threaded connection Ball Type Dimensions Threaded



| Size | L | B | H | Weight |
|------|-----|----|-----|--------|
| DN32 | 135 | 50 | 72 | 2 |
| DN40 | 145 | 60 | 85 | 2 |
| DN50 | 175 | 70 | 100 | 3 |
| DN65 | 200 | 90 | 125 | 5 |

Check Valve/EN558 Series 48 Ball Type Dimensions Flanged



| Size | EN 1092-2 PN16 | | | | | b | H | Weight |
|-------|----------------|-----|-----|-----|-------|----|-----|--------|
| | L | D | D1 | D2 | n-d | | | |
| DN50 | 200 | 165 | 125 | 102 | 4-18 | 20 | 100 | 6.5 |
| DN65 | 240 | 185 | 145 | 122 | 4-18 | 20 | 125 | 11 |
| DN80 | 260 | 200 | 160 | 138 | 8-18 | 22 | 136 | 14.35 |
| DN100 | 300 | 220 | 180 | 158 | 8-18 | 24 | 185 | 19.98 |
| DN125 | 350 | 250 | 210 | 188 | 8-18 | 26 | 196 | 30.4 |
| DN150 | 400 | 285 | 240 | 212 | 8-22 | 26 | 265 | 42.3 |
| DN200 | 500 | 340 | 295 | 268 | 12-22 | 30 | 340 | 73.5 |
| DN250 | 600 | 405 | 355 | 320 | 12-26 | 32 | 420 | 128 |
| DN300 | 700 | 460 | 410 | 378 | 12-26 | 32 | 480 | 180 |